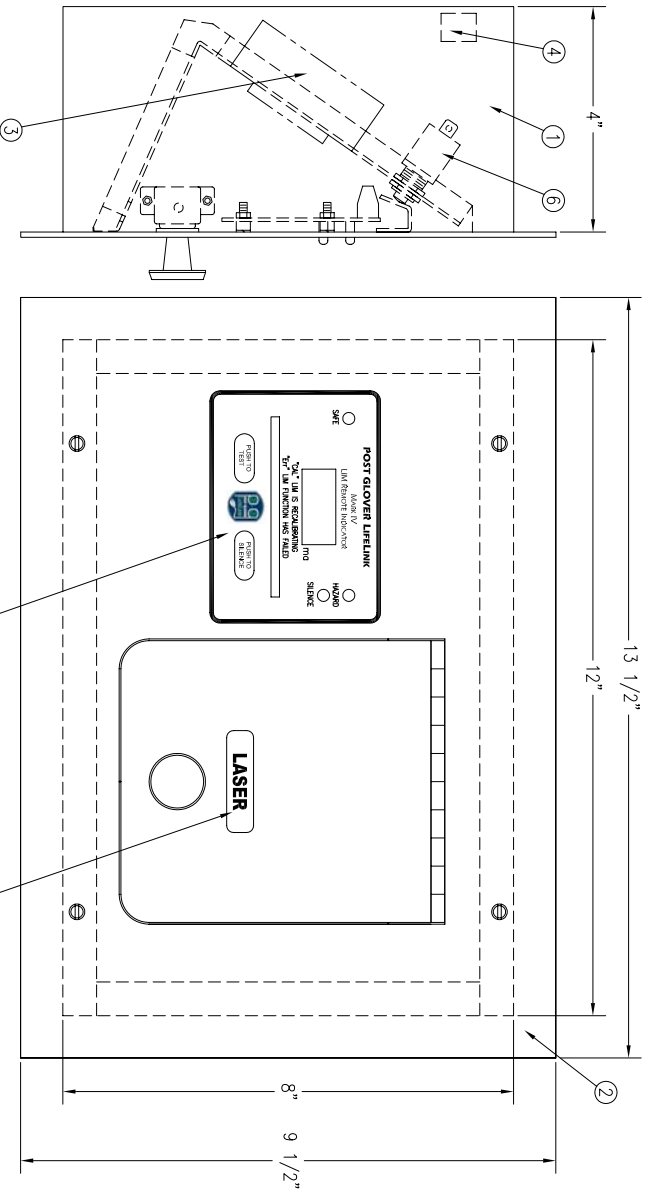


PARTS LIST

1. GALVANIZED BOX-CONDUIT ENTRY IN TOP ONLY, 418-206-684
2. STAINLESS STEEL COVER
3. LASER RECEPTACLE -
4. GROUND LUG
5. LABEL - LASER
6. PLUG CONTROL SWITCH
7. DIGITAL REMOTE ANNUNCIATOR, DRA-1S



SIDE VIEW

FRONT VIEW

**REFERENCE ONLY**

TOTAL REQUIRED \_\_\_\_\_

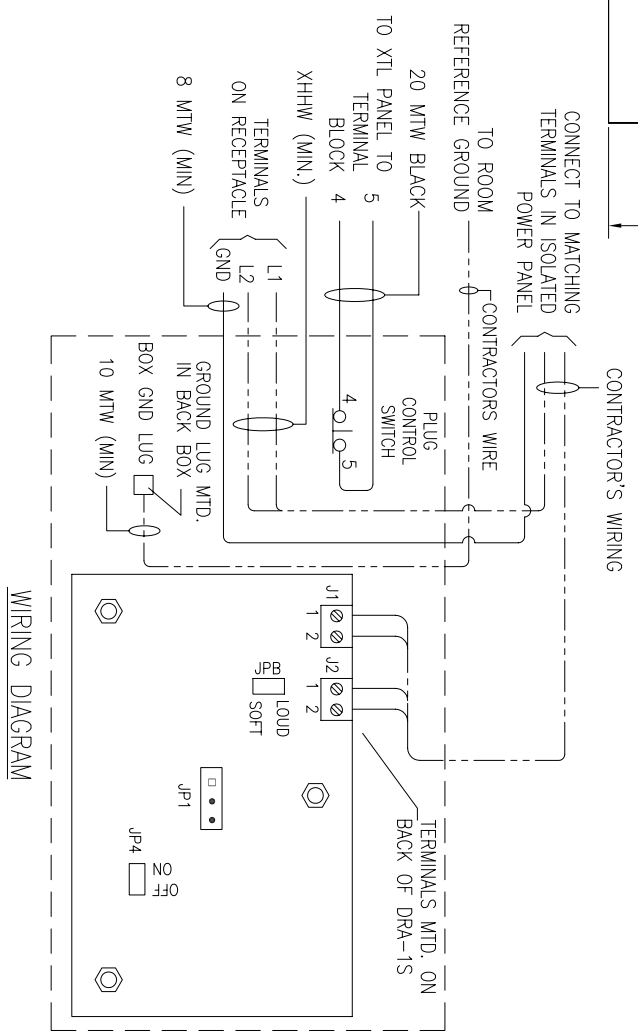
ECN#09-034. REMOVED WIRE SIZING NOTE.

|           |     |          |    |
|-----------|-----|----------|----|
| REVISIONS | JJM | 03/06/09 | 01 |
|-----------|-----|----------|----|

FOR:

STD. ACAD STD.: RLOR08005.dwg  
 B.O.M.:

**POST GLOVER LIFELINK**  
 167 GAP WAY  
 ERLANGER, KY U.S.A. 41018 (859) 283-5900  
 COPYRIGHT © 2008



WIRING DIAGRAM

S.O. NUM.:

ACAD STD.: RLOR08005.dwg

TITLE/DESCRIPTION:  
 LASER OUTLET WITH DRA-1S LIM SIGNAL AND PLUG CONTROL  
 TYPE: ALO-R

DFT: JJM DATE: 02/28/08 DWG. NO.: RLOR08005 REV.: 01

THIS DOCUMENT AND THE INFORMATION IT CONTAINS ARE THE PROPERTY OF POST GLOVER LIFELINK. IT IS DISCLOSED FOR THE PURPOSE FOR WHICH IT IS FURNISHED AND SHALL NOT BE DUPLICATED OR DISTRIBUTED.