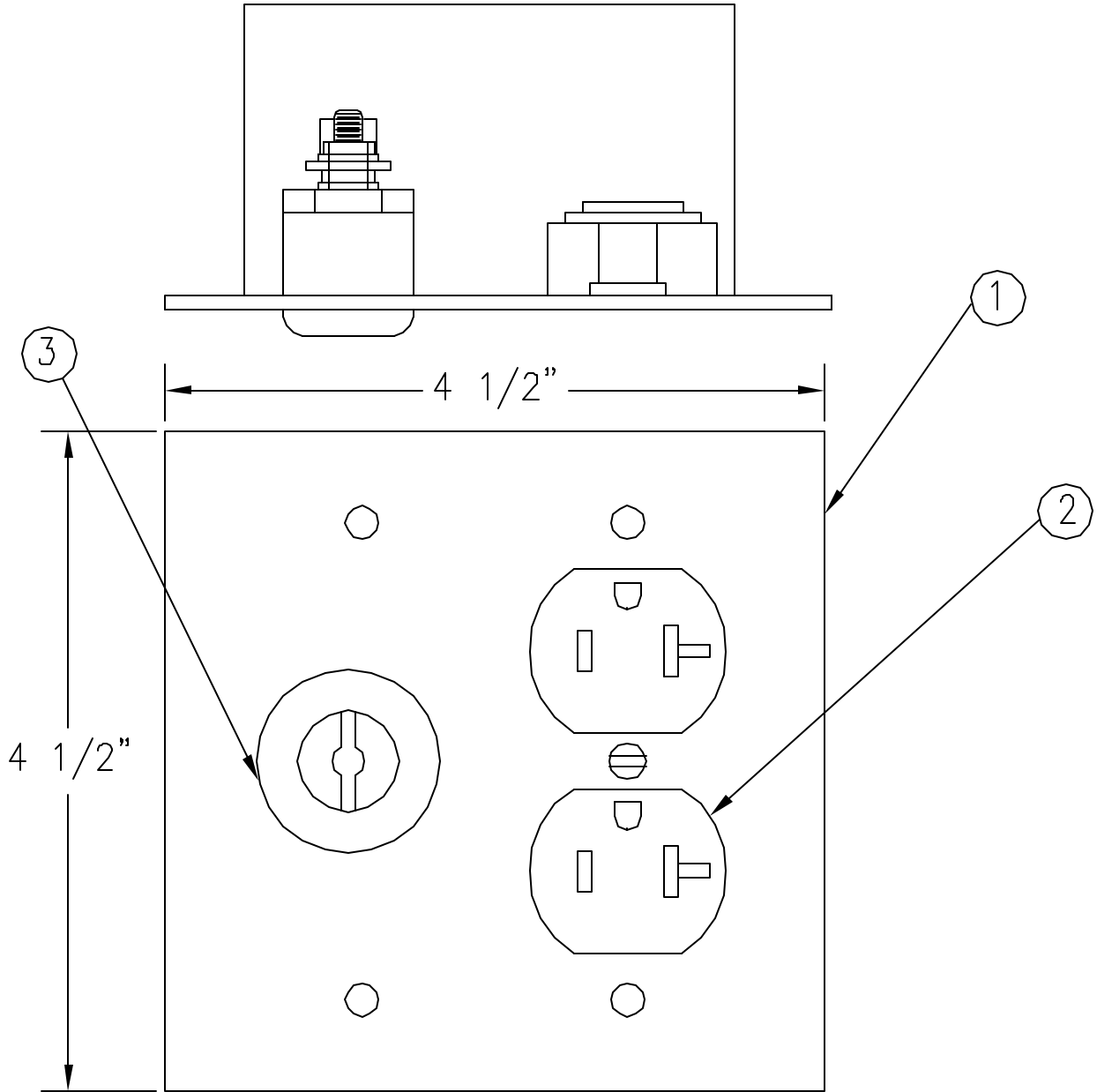


PARTS LIST

ITEM #	QTY.	DESCRIPTION
1	1	TYPE 304 STAINLESS STEEL FRONT FACE
2	1	DUPLEX RECEPTACLE, 20A 125V
3	1	GROUND JACK RECEPTACLE, TWIST TO LOCK HAMPDEN 30 AMP W/GROUND BUS



TOTAL REQUIRED

NOTES:

1.) STANDARD 2 GANG SWITCH BOX OR EQUIVALENT MASONRY BOX, MINIMUM 2 3/4" DEEP, SUPPLIED BY OTHERS

UPDATED LAYOUT BORDER ECN#04-016	
JAP	10/14/04 01
REVISIONS	

FOR:

S.O. NUM.:

STD. B.O.M.: RRP-1D1CF.xls ACAD STD.: 1D12G.dwg

TITLE/DESCRIPTION:
REMOTE RECEPTACLE PANEL
TYPE: RRP-1D1-CF



POST GLOVER LIFE LINK
4750 OLYMPIC BLVD. BLDG. B
ERLANGER, KY U.S.A. 41018 (859) 283-5900
COPYRIGHT © 2004

THIS DOCUMENT AND THE INFORMATION IT CONTAINS ARE THE PROPERTY OF POST GLOVER LIFE LINK. IT IS DISCLOSED FOR THE PURPOSE FOR WHICH IT IS FURNISHED AND SHALL NOT BE REPRODUCED OR DISTRIBUTED.

DFTR: GCG	DATE: 04/26/99	DWG. NO.: 1D12G	REV.: 01
-----------	----------------	-----------------	----------